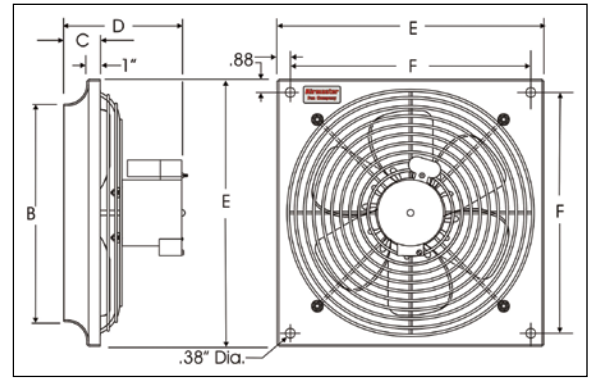




## All Purpose Wall Fans

- 115 V motor
- Direct drive, low pressure
- Totally enclosed sleeve bearing motors
- Non-overloading propeller
- High efficiency, low operating cost
- Built-in rear guard
- Commercial-duty
- Four holes 0.38" dia.



Model No.	Fan Dia."	HP	RPM	Capacity (CFM) @ SP In. W.G.					Dimensions				Weight lbs.	Price /Each		
				0"	0.05"	0.10"	0.125"	0.20"	0.250"	A"	B"	C"			D"	E"
EA376	10	1/30	1550	630	469	418	394	309	234	10	10 1/4	1 1/2	6	14	12.3	12
EA377	12	1/30	1550	897	843	754	689	503	378	12	12 1/4	1 1/2	8	16	14.3	14
EA378	16	1/9	1050	1881	1766	1626	1540	1169	814	16	16 1/2	1 3/4	9 1/2	20	18.3	24
EA379	18	1/9	1050	2504	2345	2149	2035	1553	884	18	18 1/2	1 3/4	10	22	20.3	27

## 8" Air Blower

- Lightweight, portable design
- Single-speed motor with thermal protection
- Type: Axial
- Horse Power: 1/4
- Free Air Flow Rate: 816 CFM
- Housing Material: Plastic
- Colour: Blue



EB534



EB537



EB535



Model No.	Description	Price /Each
EB534	8" Air Blower	
EB537	8" Air Blower with 15' Ducting & Canister	
EB538	8" Air Blower with 25' Ducting & Canister	
EB535	15' Ducting with Canister	
EB536	25' Ducting with Canister	

# Need help?

Have one of our qualified specialists visit you.

**1-800-661-2400**

