



Ampco non-sparking, non-magnetic, corrosion-resistant safety tools are FM approved. Made in the U.S.A. Backed by a limited lifetime warranty. Effectively limit sparking and meet OSHA's New Hazard Communication Standard stating that non-sparking tools are required with flammable liquids. Non-sparking tools for use in locations where flammable vapours and/or combustible residues are present. Non-sparking or intrinsically safe tools are also required and/or recommended by NFPA, MSHA and NIOSH.

Ideal for petroleum, metalworking, paint finishing, and transportation applications. Also used in woodworking, fertilizer production, and grain handling where high levels of dust are prominent. The metals used to make Ampco Safety Tools are highly conductive and should be grounded if there is a risk for static sparks.

**Non-sparking metal** - High-strength for impact and torque applications. Brinell hardness is 200 to 350. Tensile strength is 95 000 to 150 000 PSI.

**Beryllium Copper\*** - Superior strength for impact and torque applications. Most effective material for tools with cutting edges or gripping teeth. Brinell hardness is 332 to 382. Tensile strength is up to 200 000 PSI.

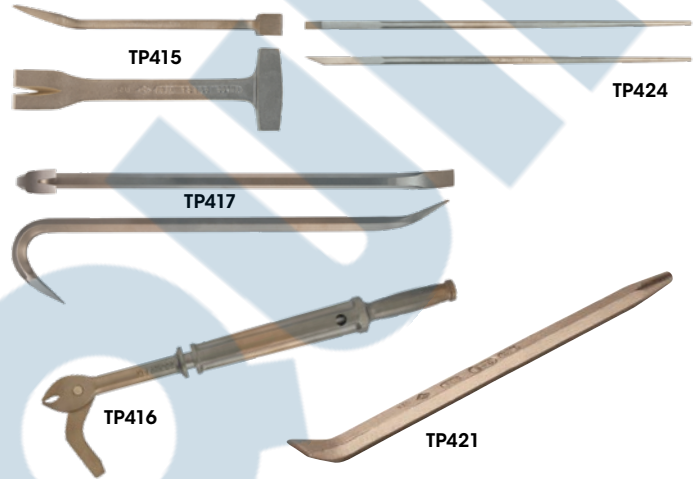
\* All models made from non-sparking metal, some contain beryllium copper where indicated.

## Wrecking & Prying Bars

Cast from a high-strength nickel-aluminum bronze. Ideal for handling potentially flammable or hazardous items.



Model No.	Description	Bar Size"	Overall Length"	Wt. lbs.	Price /Each
TP415	Hammer/Claw Crate Opener Stock: 3/4"W x 0.339" Thick	2 3/4	9	0.94	
TP416	Nail Puller Shank dia.: 0.705"; Jaw Width: 0.325"		18	4.0	
TP417	Crow Bar	5/8 Hex.	18	1.9	
TP418	Crow Bar	3/4 Hex.	24	3.8	
TP419	Crow Bar	7/8 Hex.	30	6.0	
TP420	Crow Bar	7/8 Hex.	36	7.2	
TP421	Pinch Bar w/Bent Chisel Tip	3/4 Hex.	18	2.3	
TP422	Pinch Bar w/Bent Chisel Tip	7/8 Hex.	30	5.1	
TP423	Pinch Bar w/Bent Chisel Tip	1 Hex.	36	8.7	
TP424	Pry bar w/Straight Chisel Tip	1 1/4	60	18.8	
TP425	Pry bar w/Straight Chisel Tip	1 3/8	68	24.5	



## Hammers & Mallets

Non-sparking metal construction, cast from a high strength nickel-aluminum bronze. Fibreglass handle for durability and vibration control.



Model No.	Description	Head Wt. lbs.	Face Dia. "	Overall Length"	Price /Each
BB512	Curved-Claw Nail Hammer Smooth Striking Face	0.75	5/8	14	
BB514	Curved-Claw Nail Hammer Smooth Striking Face	1.00	1	14	
BB517	Curved-Claw Nail Hammer Smooth Striking Face	1.25	1	14	
BB486	Ball Pein Hammer	0.25	3/8	9 3/4	
BB487	Ball Pein Hammer	0.75	1	14	
BB488	Ball Pein Hammer	1.00	1 1/4	14	
BB489	Ball Pein Hammer	1.50	1 3/8	14	
BB490	Ball Pein Hammer	2.00	1 1/4	14	
BB491	Ball Pein Hammer	2.25	1 5/8	14	
BB492	Ball Pein Hammer	2.75	1 3/4	14	
BB498	Double-Face Engineer's Hammer	2.00	1 3/8	14	
BB503	Double-Face Engineer's Hammer	2.25	1 3/8	14	
BB504	Double-Face Engineer's Hammer	2.75	1 1/2	14	
BB509	Double-Face Engineer's Hammer	3.00	1 1/2	14	
WI940	Sledge Hammer	3.00	1 3/4	14	
WI941	Sledge Hammer	6.00	2	33	
WI942	Sledge Hammer	8.00	2 1/4	33	
WI943	Sledge Hammer	10.00	2 3/8	33	
WI944	Sledge Hammer	16.00	2 3/4	33	
WI945	Sledge Hammer	18.00	3	33	
WI953	Mallet	2.00	1 1/2	14	
WI954	Mallet	4.00	2	15	
WI955	Mallet	6.00	2 1/4	15	
BB497	Bricklayer's Hammer	1.50	3/4	14	
BB541	Scaling Hammer	1.00	1 x 1/8	14	

