

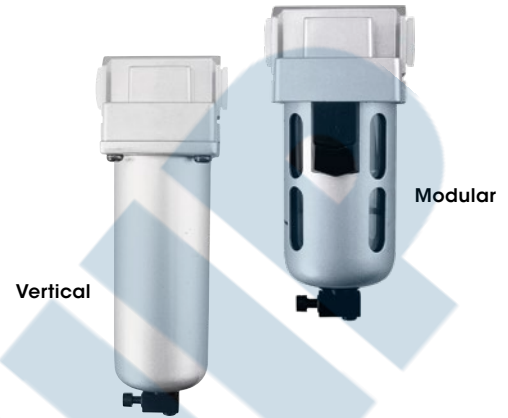


## Modular Air Filter

- Used to separate dust, dirt, moisture and other contaminants from compressed air
- Sintered bronze, 40-micron filtering element
- Designed with a separator and shield for efficient moisture separation
- Press-type manual drain with nighttime drain feature, which automatically drains off the bowl once the compressed air supply to the filter is switched off
- Comes with NPT threads
- Drain Type: Semi-Automatic
- Material Filtered: Combination
- Filtration Size (Microns): 40 Microns



Model No.	Series	Max. PSI	Bowl Material	Connection Size	Price /Each
<b>MODULAR</b>					
TY1165	FRL100	145	Polycarbonate	1/4" NPT	
TY1166	FRL200	145	Polycarbonate	3/8" NPT	
TY1167	FRL300	145	Polycarbonate	1/2" NPT	
<b>VERTICAL</b>					
TY1168	FRL400	290	Metal	3/4" NPT	
TY1169	FRL400	290	Metal	1" NPT	



## Modular Air Regulator (Gauge Included)

- Regulators are used to maintain a steady outlet pressure, unaffected by variations or fluctuations in the inlet pressure
- Regulators step down the air line pressure and can be set at any desired pressure below the inlet air pressure
- Designed with a non-raising "Press to Lock" adjustment knob for locking at any set pressure
- These can be installed in any position and need not be vertically mounted
- Comes with NPT threads and gauge
- Max. PSI: 220 PSI



Model No.	Series	Connection Size	Max. Air Flow	Price /Each
TY1160	FRL100	1/4" NPT	21 SCFM @ 105 PSI	
TY1161	FRL200	3/8" NPT	88 SCFM @ 105 PSI	
TY1162	FRL300	1/2" NPT	140 SCFM @ 105 PSI	
TY1163	FRL400	3/4" NPT	175 SCFM @ 105 PSI	
TY1164	FRL400	1" NPT	210 SCFM @ 105 PSI	



## Airflo Modular Combination Units Filter + Regulator + Lubricator + Gauge

- Accurate pressure control
- Lubrication automatically proportioned to air flow
- Pressure gauge, piping adaptors and mounting bracket included
- With the piping adapter, it is easy to remove unit for maintenance



### TOPRING

Model No.	Mfg. No.	Port Size"	Max Air Flow @ 100 PSI	Max PSI	Reduced Pressure Range	Bowl Type	Bowl Capacity	Drain	Gauge Port Size"	Series	Price /Each
TLZ602	51.210	1/4 (F) NPT	18 SCFM	150	5-125	Polycarbonate w/steel guard	0.5 fl.oz.	Semi-auto	1/8 (F) NPT	200	
TLZ611	51.310	1/4 (F) NPT	70 SCFM	150	5-125	Polycarbonate w/steel guard	0.7 fl.oz.	Semi-auto	1/8 (F) NPT	300	
TLZ613	51.315	3/8 (F) NPT	70 SCFM	150	5-125	Polycarbonate w/steel guard	0.7 fl.oz.	Semi-auto	1/8 (F) NPT	300	
TLZ637	51.410	3/8 (F) NPT	141 SCFM	150	5-125	Polycarbonate w/steel guard	1.6 fl.oz.	Semi-auto	1/4 (F) NPT	400	
TLZ639	51.415	1/2 (F) NPT	141 SCFM	150	5-125	Polycarbonate w/steel guard	1.6 fl.oz.	Semi-auto	1/4 (F) NPT	400	
TLZ663	51.510	3/4 (F) NPT	175 SCFM	150	5-125	Die cast alum w/sight glass	4.4 fl.oz.	Semi-auto	1/4 (F) NPT	500	
TLZ665	51.515	1 (F) NPT	175 SCFM	150	5-125	Die cast alum w/sight glass	4.4 fl.oz.	Semi-auto	1/4 (F) NPT	500	

## Airflo Compact Modular Combination Units Filter/Regulator + Lubricator + Gauge

- Accurate pressure control
- Lubrication automatically proportioned to air flow
- Pressure gauge, piping adaptors and mounting bracket included



### TOPRING

Model No.	Mfg. No.	Port Size"	Max Air Flow @ 100 PSI	Max PSI	Reduced Pressure Range	Bowl Type	Bowl Capacity	Drain	Gauge Port Size"	Series	Price /Each
TLZ603	51.220	1/4 (F) NPT	18 SCFM	150	5-125	Polycarbonate w/steel guard	0.5 fl.oz.	Semi-auto	1/8 (F) NPT	200	
TLZ615	51.320	1/4 (F) NPT	70 SCFM	150	5-125	Polycarbonate w/steel guard	0.7 fl.oz.	Semi-auto	1/8 (F) NPT	300	
TLZ617	51.325	3/8 (F) NPT	70 SCFM	150	5-125	Polycarbonate w/steel guard	0.7 fl.oz.	Semi-auto	1/8 (F) NPT	300	
TLZ641	51.420	3/8 (F) NPT	105 SCFM	150	5-125	Polycarbonate w/steel guard	1.6 fl.oz.	Semi-auto	1/4 (F) NPT	400	
TLZ643	51.425	1/2 (F) NPT	105 SCFM	150	5-125	Polycarbonate w/steel guard	1.6 fl.oz.	Semi-auto	1/4 (F) NPT	400	